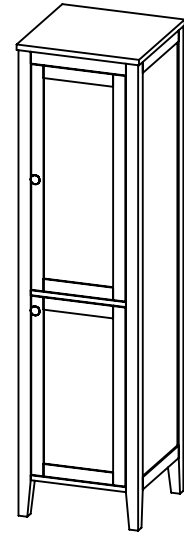


SPEC SHEET

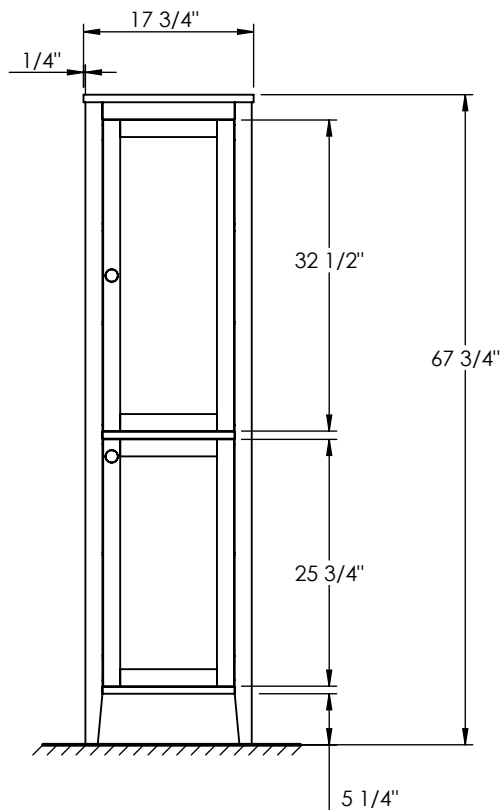
PRODUCT DESCRIPTION

- VICTORIA 18 linen tower
- Available in Dark Walnut (30), Espresso (40), and Matt White (50) finish
- Solid wood frame construction
- Soft close doors
- Features 2 internal adjustable glass shelves and a fixed wood shelf
- Available with right (R) and left (L) door hinge installation
- Nominal Dimensions:

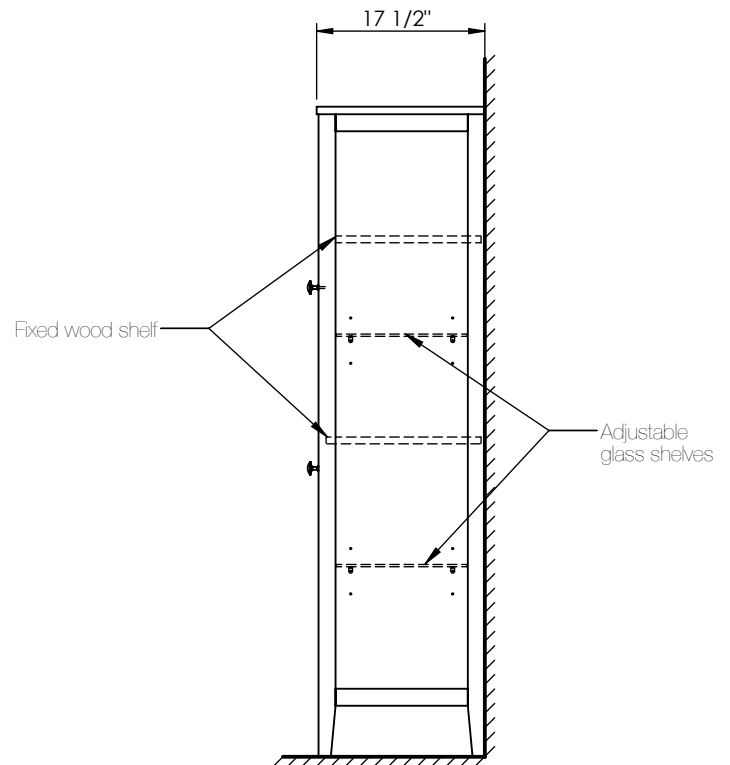
Width: 17.75"
Depth: 17.5"
Height: 66.75"



ROUGHING-IN DIMENSIONS



FRONT VIEW



SIDE VIEW