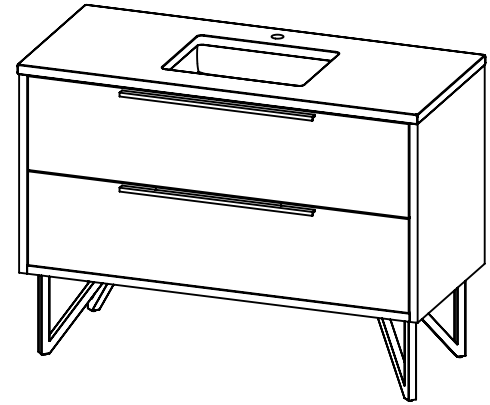


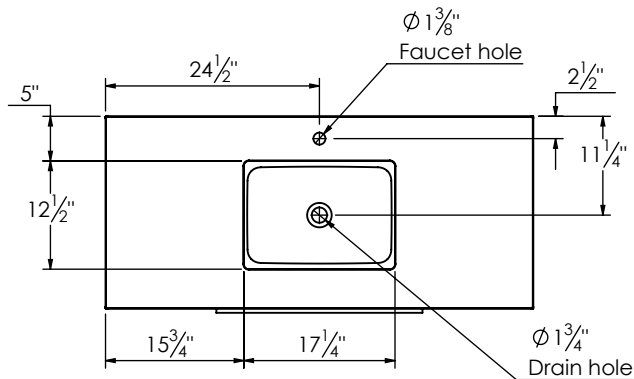
## SPEC SHEET

### PRODUCT DESCRIPTION

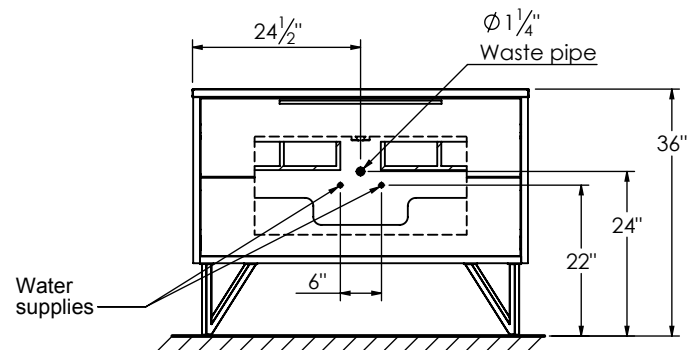
- PARKER 49 Vanity with Quartz Stone (3cm) counter top
- Wall mount cabinet with BLUM mounting hardware
- V shaped legs available in matt black, brushed nickel, polished chrome, and brushed gold finish
- Cabinet is available in Matte White, Rock gray, Natural Walnut, and Black Elm
- Hardwood plywood construction
- Soft close and full extension drawers
- Glass and wood dividers on the top drawer
- Aluminum hardware available in Matte Black, Brushed Nickel, Polished Chrome, and Brushed Gold finish
- Quartz stone counter top available in White and Calacatta color
- Lotus undermount porcelain basin with square shape in white (with overflow hole)
- Basin depth is 5 1/2" (including top thickness)
- Quartz back and side splash are optional



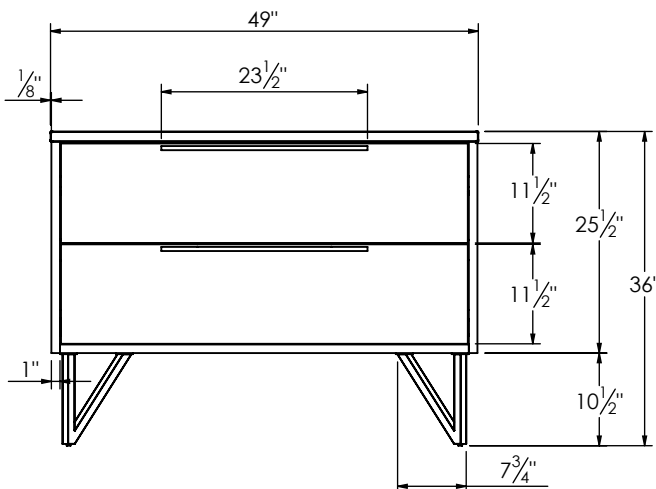
### ROUGHING-IN DIMENSIONS



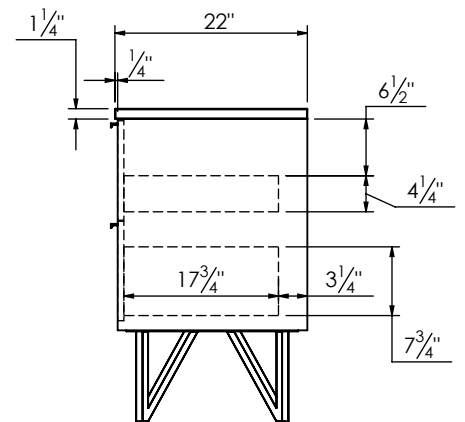
**TOP VIEW**



**ROUGH PLUMBING**



**FRONT VIEW**



**SIDE VIEW**