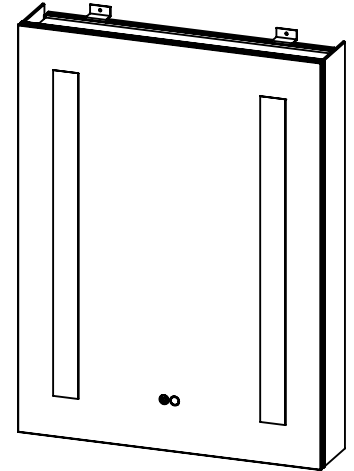


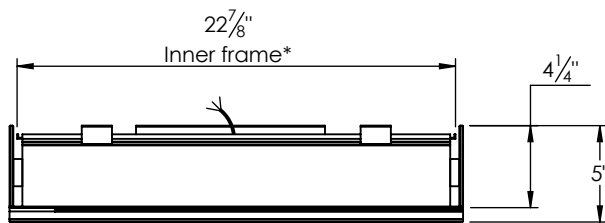
**PRODUCT DESCRIPTION**

**SPEC SHEET**

- LED mirror cabinet
- Hinges are on the **RIGHT** side (also available with left side hinges IM2824L-15)
- Features three color lights and dimming function
- 5mm thick high quality copper free mirror
- Mirrored sides panels (can be removed for recessed installation)
- Hard-wired electrical installation
- GFCI in-cabinet electrical outlet
- 2 internal mirrors with inside light
- Slow close hinges
- Features 3 adjustable glass shelves
- 5X magnifier mirror with surrounding light located on the back side of the door
- Connection to a light switch is optional (not intended for use with external dimmers)
- LED intensity is 60 FC (foot candle) at standard user distance
- LED life is 50,000 hours
- CRI 80+
- Two year manufacturer warranty
- Solid Aluminum frame
- UL and IP44 rated and certified (LED, drivers, and switches)
- Allows for surface mount or recessed installation

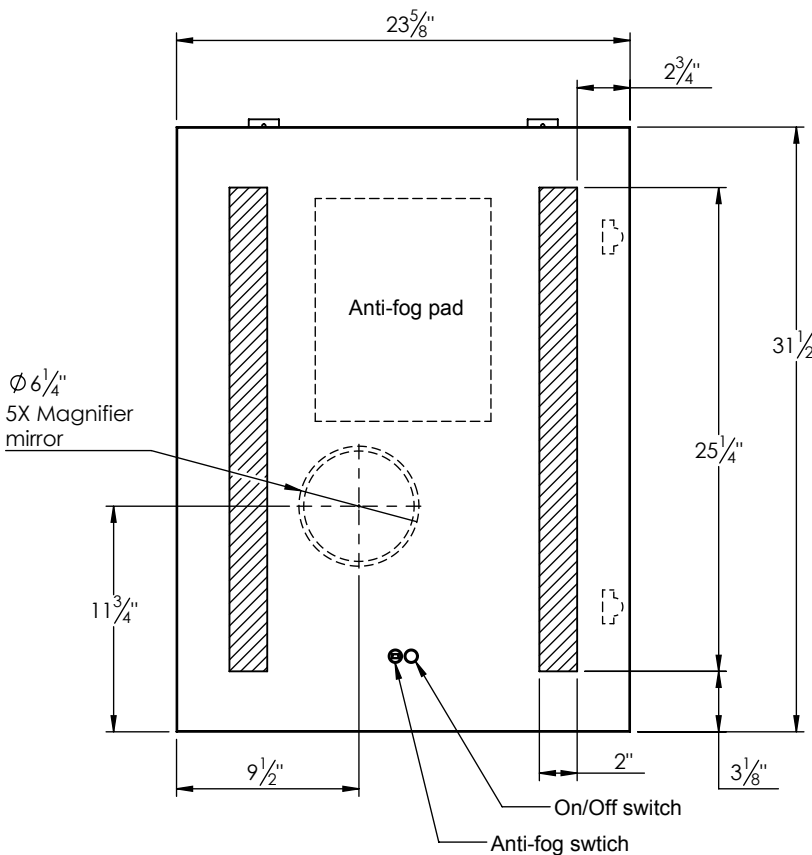


**ROUGHING-IN DIMENSIONS**

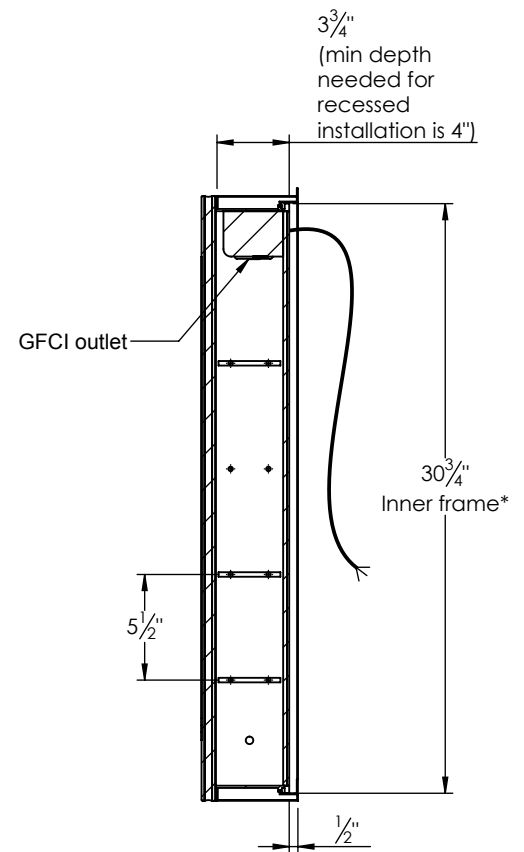


**TOP VIEW**

\* Inner frame dimensions are for reference only. When recessing mirror into the wall, it is recommended to have the mirror on hand before making the wall opening.



**FRONT VIEW**



**SIDE VIEW**