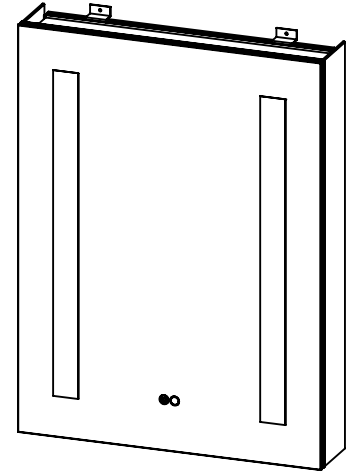


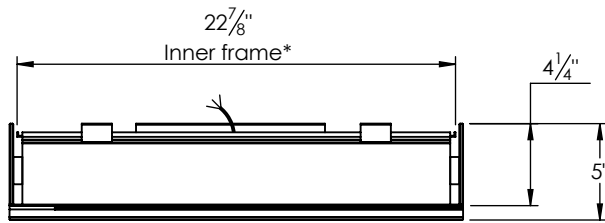
PRODUCT DESCRIPTION

SPEC SHEET

- LED mirror cabinet
- Hinges are on the **LEFT** side (also available with right side hinges IM2824R-15)
- Features three color lights and dimming function
- 5mm thick high quality copper free mirror
- Mirrored sides panels (can be removed for recessed installation)
- Hard-wired electrical installation
- GFCI in-cabinet electrical outlet
- 2 internal mirrors with inside light
- Slow close hinges
- Features 3 adjustable glass shelves
- 5X magnifier mirror with surrounding light located on the back side of the door
- Connection to a light switch is optional (not intended for use with external dimmers)
- LED intensity is 60 FC (foot candle) at standard user distance
- LED life is 50,000 hours
- CRI 80+
- Two year manufacturer warranty
- Solid Aluminum frame
- UL and IP44 rated and certified (LED, drivers, and switches)
- Allows for surface mount or recessed installation

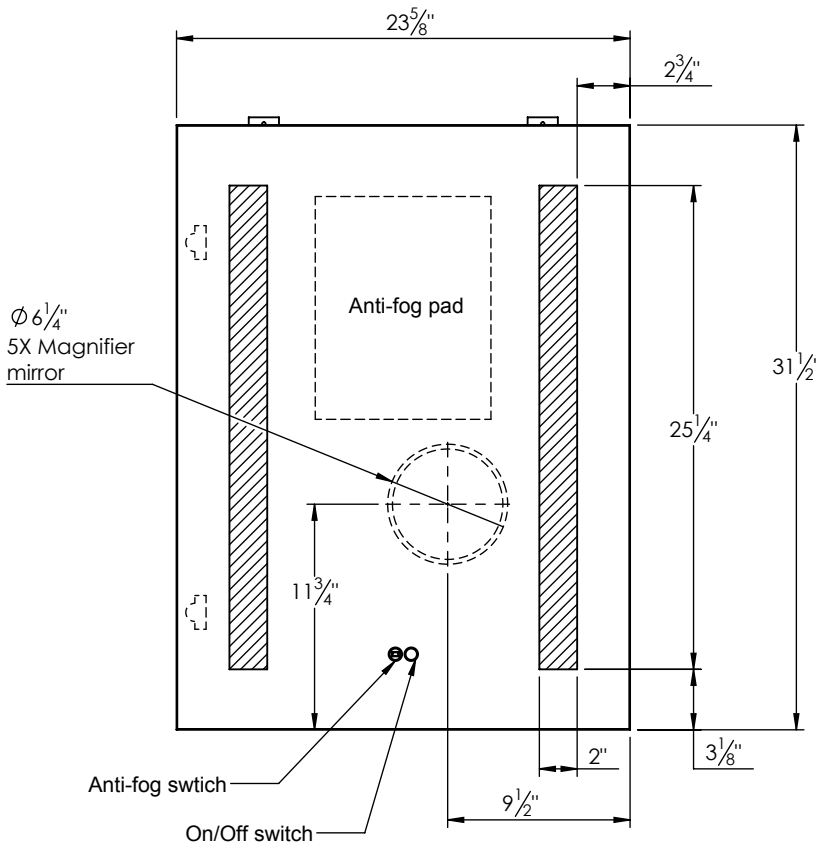


ROUGHING-IN DIMENSIONS

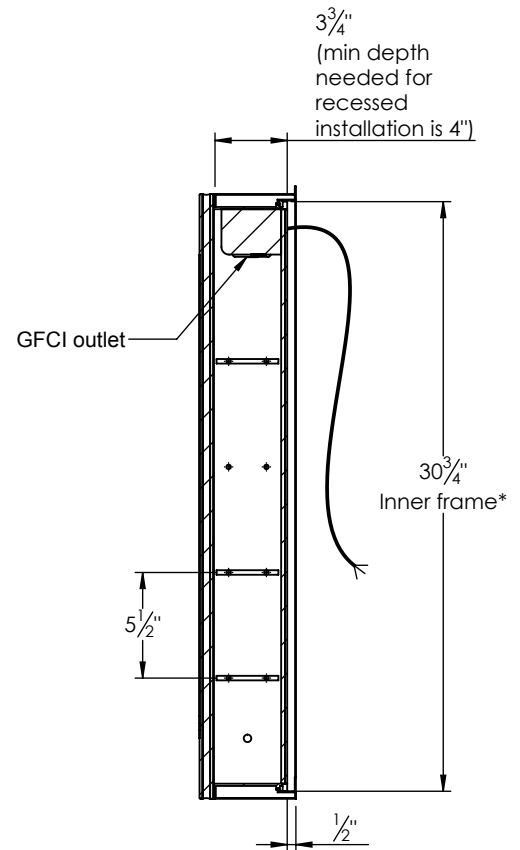


TOP VIEW

* Inner frame dimensions are for reference only. When recessing mirror into the wall, it is recommended to have the mirror on hand before making the wall opening.



FRONT VIEW



SIDE VIEW