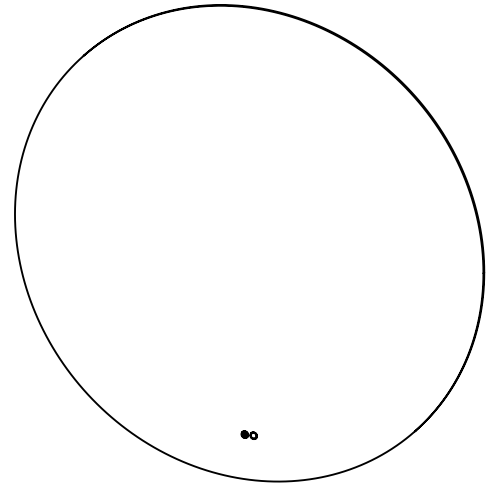


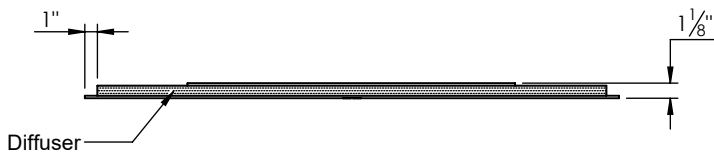
SPEC SHEET

PRODUCT DESCRIPTION

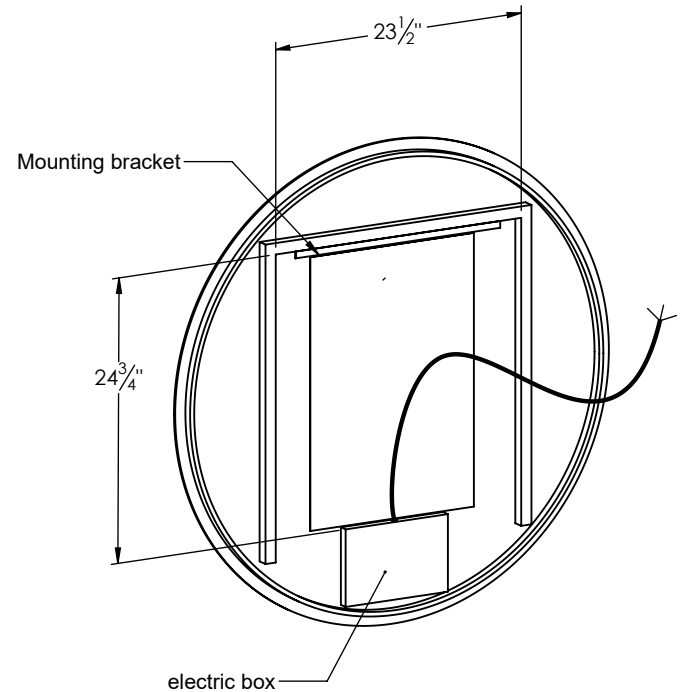
- Round Backlit mirror
- Plexiglass diffuser
- 3 color light switch + dimming function
- Antifog function
- 5mm thick high quality copper free mirror
- Hard-wired electrical installation
- Connection to a light switch is optional (not intended for use with dimmers)
- LED life is 50,000 hours
- Features 3000K, 4500K, and 6000K color temperatures
- 20 Watt power consumption
- CRI 80+
- Two year manufacturer warranty
- Solid Aluminum frame
- ETL and IP44 rated and certified (LED, drivers, and switches)
- Aluminum french cleat mounting system allows for horizontal or vertical installation



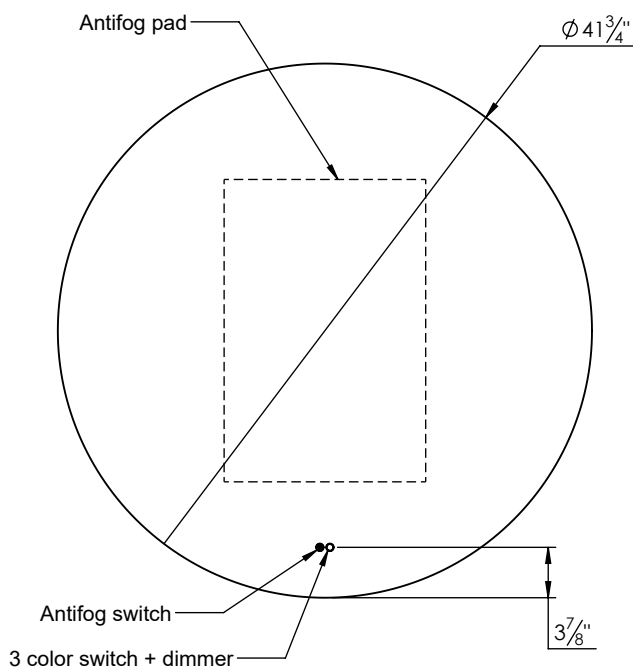
ROUGHING-IN DIMENSIONS



TOP VIEW



REAR VIEW



FRONT VIEW